

PHU-400 Installation Manual

CAUTION This manual is provided for use by service representatives. Service representatives install the unit, so notify the supplier who sold it to you.

1 Package contents

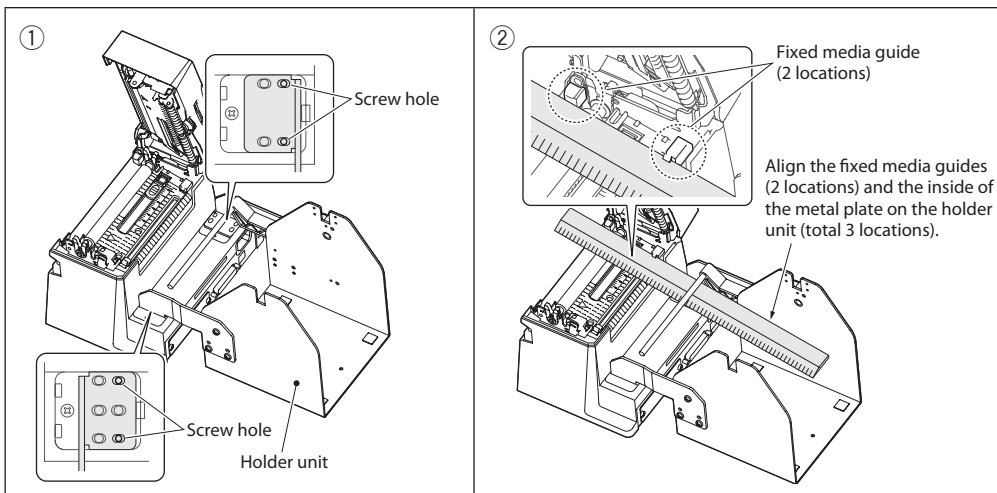
This holder unit includes the following parts.

- Holder unit (PHU-400 body) ×1
- Screw (M3 x 6) ×4
- Media holder bar ×1
- Media holder guide ×1

2 How to attach to the printer

- Note**
- Take care not to be injured by an edge of plate when you install the holder.
 - Be sure to carry out the work after unplugging the power cord from the electric outlet and disconnecting the interface cable.

- ① Place the holder unit so it is aligned with the screw hole on the printer side.
- ② Fix the holder unit to the printer with the 4 screws that come with the holder unit.
Use a ruler or a similar article to adjust the position of the holder unit as shown below while tightening the screws so that the fixed media guides for the printer and the edge of the media on the holder aligns.



3 Printer location

Place the printer so that the printer and the holder unit are both on a flat stable surface.

4 Setting the roll media

■ Roll media types

Recommended media	Heat-transfer media: label media (150LA-1 Ricoh), tag media (130LHB Ricoh)	
Max. media width	118.0 mm	4.65 inch
Min. media width	19.5 mm	0.77 inch
Min. label width	19.5 mm	0.77 inch
Min. label pitch	6.35 mm	0.25 inch
Max. media thickness	0.254 mm	0.01 inch
Max. media length	812.8 mm	32 inch
Min. media length	6.35 mm	0.25 inch
Min. media thickness	0.0635 mm	0.0025 inch
On-board roll media diameter	Max. external diameter: 203 mm	8 inch
	Media core: 25.4 to 76 mm	1 to 3 inch
	Min. media core external diameter (when using label media): 50.8 mm	2 inch

■ How to set the roll

Depending on which side the surface to be printed is rolled, the direction in which the roll media is set and how it passes through the guide differs. Set the roll media according to the diagram below.

