

NLS-HR200 Series

Hand-held 1D/2D Bar Code Scanner



A well-designed hand-held scanner for 1D and 2D barcode scanning, suitable for various bar code scanning needs.

Product Features

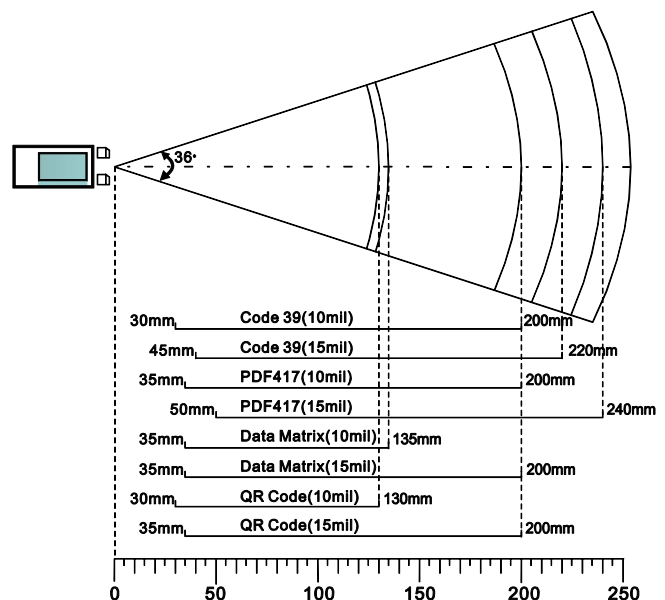
- **Durable and Easy to Operate**

This is well-designed, ergonomic and high-performance hand-held CMOS scanner can be used in various applications such as retail, logistics, office automation and many more.

- **Advanced Technology**

Includes core-technology **UIMG**® which is independently designed and manufactured by Newland Auto-ID. **UIMG**® technology includes the optical, CMOS, CCD, digitizer, decoder, image processing & embedded systems. The scanner supports all global standard 1D barcode symbologies. Its' reading performance reaches and exceeds global standards. By using the accessories provided, the user can ideally set up the scanner to its user environment.

Depth of Field



Specifications

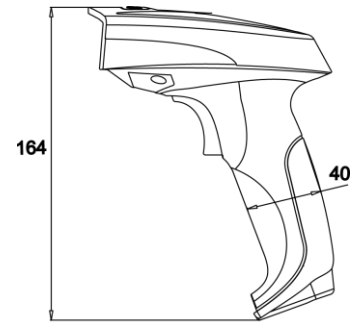
Performance							
Image Sensor	CMOS						
resolution	752 * 480						
Interface							
	RS232 / HID-KBW / UDP / USB COM Port Emulation / HID-POS						
Symbologies							
2D	PDF417, QR Code(Model 1/2), DataMatrix (ECC200, ECC000, 050, 080,100,140), Aztec, Maxicode, etc.						
1D	Code128, EAN-13, EAN-8, Code39, UPC-A, UPC-E, Codabar, Interleaved 2 of 5, ISBN, Code 93, GS1 Databar, etc						
Precision	≥ 5mil						
Light Source	LED(630 nm ± 10 nm)						
Light Intensity	300 LUX (130 mm)						
Depth of Scan Field	30 mm ~ 240 mm						
Print Contrast Signal	≥ 30%						
Sensitivity**	<table border="0"> <tr> <td>Pitch</td> <td>360°@ 0°Pitch and 0° Skew</td> </tr> <tr> <td>Roll</td> <td>±55°@ 0°Roll and 0° Skew</td> </tr> <tr> <td>Skew</td> <td>±60°@ 0°Roll and 0° Pitch</td> </tr> </table>	Pitch	360°@ 0°Pitch and 0° Skew	Roll	±55°@ 0°Roll and 0° Skew	Skew	±60°@ 0°Roll and 0° Pitch
Pitch	360°@ 0°Pitch and 0° Skew						
Roll	±55°@ 0°Roll and 0° Skew						
Skew	±60°@ 0°Roll and 0° Pitch						
Illumination	0 ~ 100,000 LUX						
Mechanical/ Electrical							
Power Consumption	1.65 W						
Voltage	DC 5 V						
Current	<table border="0"> <tr> <td>Max</td> <td>330 mA</td> </tr> <tr> <td>Working</td> <td>290 mA</td> </tr> <tr> <td>Idle</td> <td>200 mA</td> </tr> </table>	Max	330 mA	Working	290 mA	Idle	200 mA
Max	330 mA						
Working	290 mA						
Idle	200 mA						
Weight	250g						
Environment							
Operate Temperature	-5°C - +45°C						
Storage Temperature	-40°C - +60°C						
Humidity	5% - 95% (non-condensing)						
Certifications							
FCC Part15 Class B, CE EMC Class B							
Accessories							
Cradle	The cradle for HR200 with Bluetooth function						
Bracket	The bracket for HR200, the HR200 could be mounted in the bracket.						
RS232 Cable	This cable connect to the RS232 port of HR200 with a RJ45 port. With a standard female RS232 port to connect to standard male RS232 port.						
Flex Cable	With a power port to accept power adapter supply. This cable connect to the USB Slave port of HR200 with a RJ45 port.						
USB Cable	With a standard USB Slave port to connect to standard USB Host port.						
Power Adapter	The power adapter for HR200 by the RS232 Cable. Output: DC5V, 2A; Input: AC100~240V, 50~60HZ.						

**Test Condition:

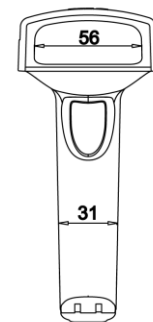
Code39: 3 Bytes ; Resolution = 10mil; W:N = 3:1 ; PCS = 0.8 ;

Barcode Height = 11mm; Distance = 120mm; T=23°C; Illumination= 200 LUX

Dimension (Unit: mm)

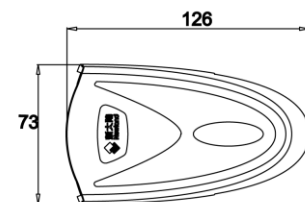


Left View



Front View

V1.0.0



Top View

Contact Us

Newland China
+86-400-608-0591
sales@nlscan.cn

Newland Europe
+31(0)-345-87-0033
info@newland-id.com

Newland Taiwan
+886-2-7731-5388
info@newland-id.com.tw

Newland North America
+1-510-490-3888
info@newlandna.com



Newland