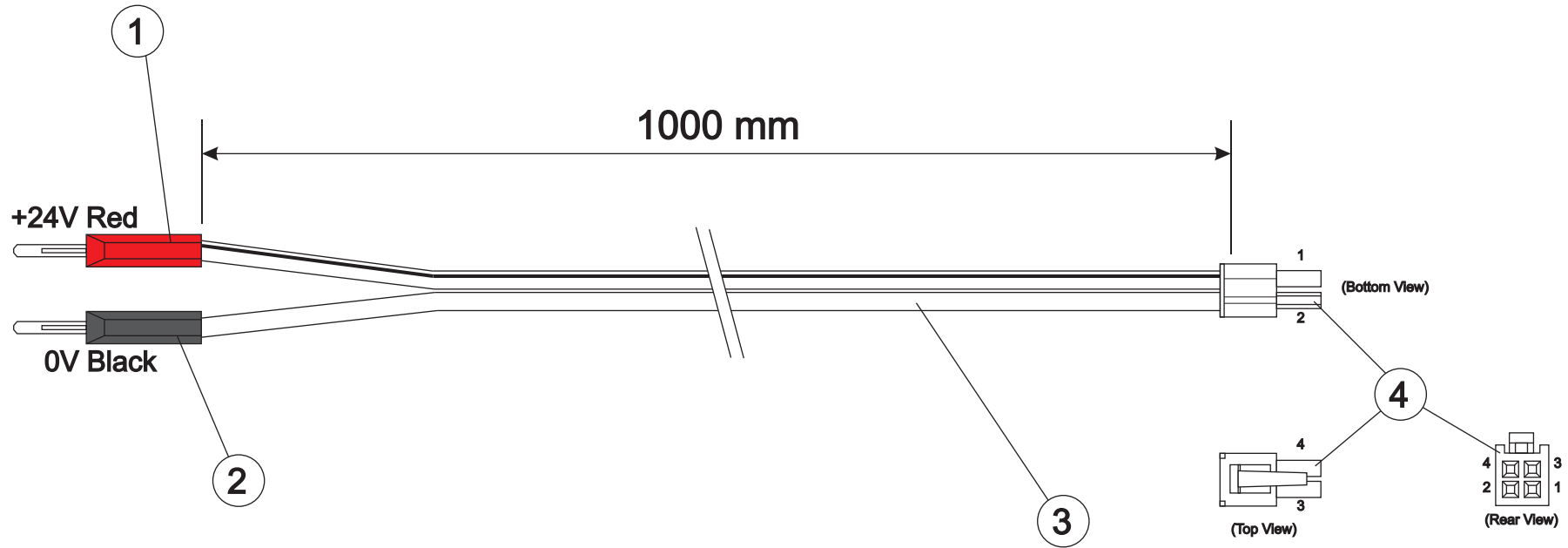


DRAWING NO. **CN389** ISSUE **1**

Кабель питания (Норпер разъем 4pin – питание)



### Parts List

#### Description

1. 4mm Stackable Plug, Red
2. 4mm Stackable Plug, Black
3. Polarised Audio wire, 2 x 0.5mm<sup>2</sup> AWG 20-18
4. 4 Circuit Receptacle Housing, 4.2mm PE Series UL 94V-2
5. 4.2mm PE Series Crimp Socket (not shown)

#### Part Number

Part Number	Quantity
Deltron 553-0500-01	1
Deltron 553-0100-01	1
Tyco 794954-4	1
Tyco-1586315-1	—2—