

Infrared Touch Screen

BIG Series

Technical Specification

Customer Approved

采购部 PURCHING	品管部 QC	研发部 R&D	签章

Manufacturer

拟制 DRAWING	审核 1 CHECK1	审核 2 CHECK2	批准 RATIFY	签章

Version	Date	Information Source	Update Details
1.0	2016-9-18	Nick Shi	Compile

1 Characteristics

BIG series infrared touch screen is designed with thin and slim frame. It can be integrated into large size LCD monitor or any flat display device easily, and providing new look of display devices.

Features:

- Thin and slim frame
- Including with tempered glass
- Integrated controller
- Fast response and writing smoothly
- Super transparency
- High resolution
- Stable and no drift
- Anti-dust and scratch proof

Typical Applications:

- All-in-one computer
- Video conference system
- Kiosks
- Self-service terminal
- Interactive advertising machine

2 Specifications

Touch Points	Single touch
Normal Size	18.5"/19"/20.1"/21.5"/22"/23"/23.6"/24"/26"/27"/32"/37"/40"/42"/46"/47"
Customized Size	Any size from 18.5 to 47 inch
Input Method	Finger, or any other opaque stylus
Position Accuracy	3mm
Touch Stylus Diameter	8mm
Response Time	<16ms
Optical Element Pitch	6mm
Touch Intensity	No pressure required
Detection Form	Infrared rays interception detection form
Scanning Form	Auto Start, Always Scanning
Controller Reported Resolution	4096 × 4096
Movement Mode	Input Point, Finishing Point, Following, Continuous Detection
Output Form	Coordinate output
Shell	AL (Powder painting, Black color)
Glass	3mm thickness tempered glass
Outside Dimensions	See Chapter 4
Touch Area	See Chapter 4
USB2.0 Connector Type	Plug of type A

	Transfer Speed	USB2.0 Low Speed
	Signal	+5V,D-,D+,GND
Temperature Range	Operating	-25 - 70°C (Temperature slope less than 25°C/Hr)
	Storage	-40 - 85°C (Temperature slope less than 25°C/Hr)
Humidity	Operating	0%-85%, non-condensing
	Storage	0%-95%, non-condensing
ESD Capability	Contact discharge voltage is 8KV, air discharge voltage is 15KV	
Supply Voltage	DC+5V ± 5%	
Power Consumption	1W (size<=32inch), 1.75W(size>=37inch)	
How to Supply it	From USB PORT of PC or powered HUB	
Supported OS	Windows 2000, 2003, XP-SP3, Vista, Windows 7(32/64 bit), Windows 8(32/64 bit), Linux	
Agency Approval	CE, FCC	

3 Active Area and Detection coordinate

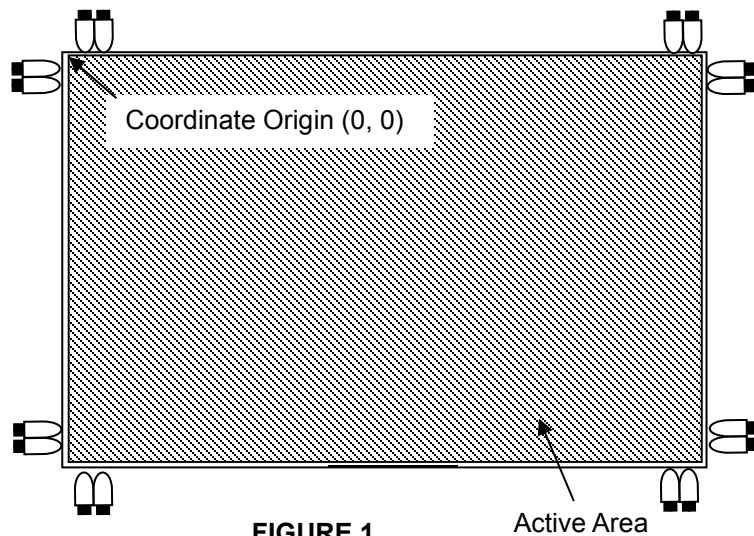
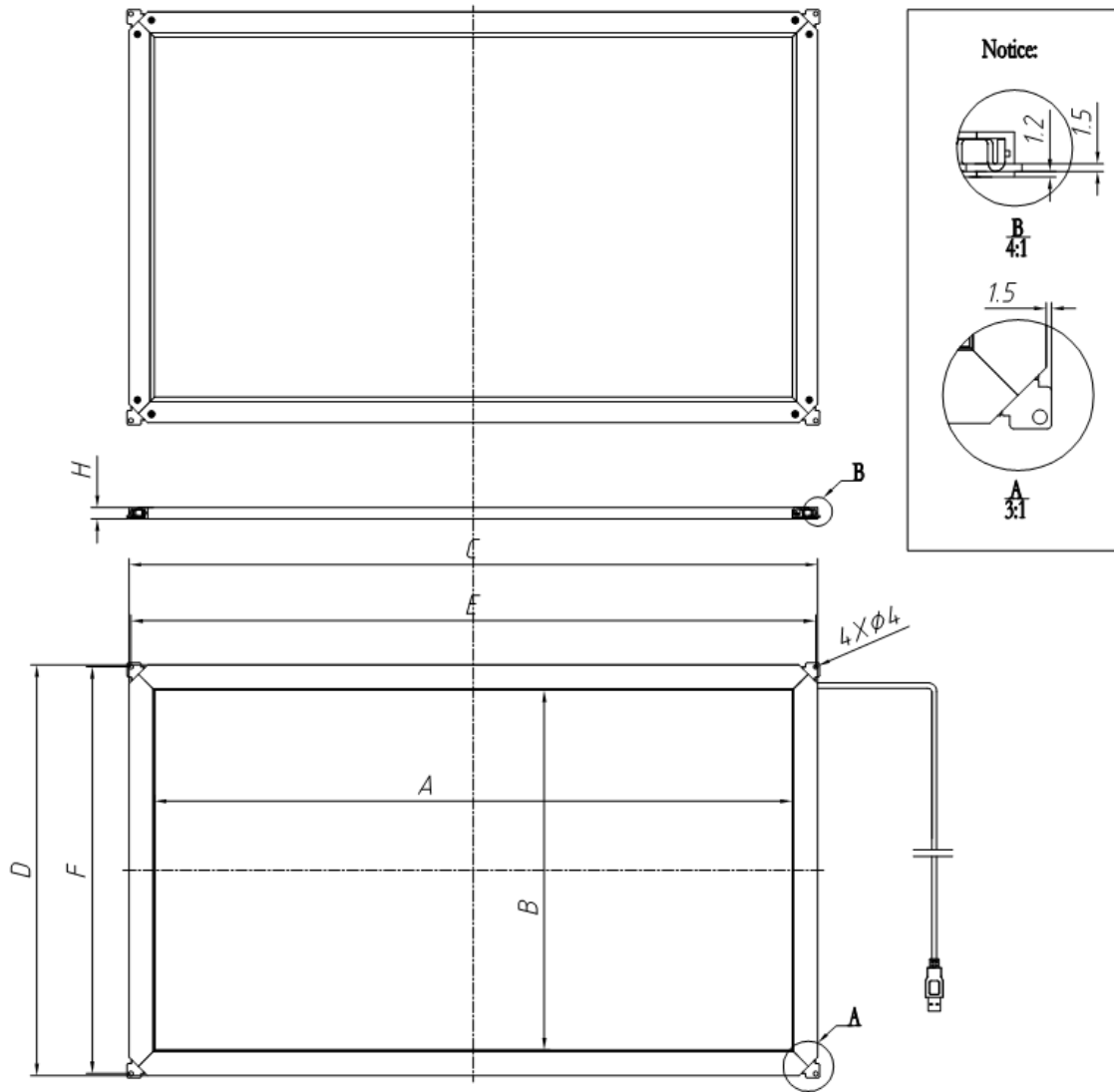


FIGURE 1

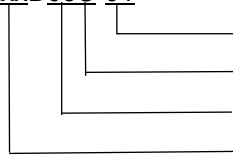
4 Mechanical Dimension



Size	Model	Scale	Touch Area Dimensions		Outside Dimensions		Installation Dimensions		Thickness	Usb Cable Length(mm)
			A±1 (mm)	B±1 (mm)	C±1 (mm)	D±1 (mm)	E±1 (mm)	F±1 (mm)		
18.5 inch	BIG185D03U-01	16:9	413	233	455	275	451.6	271.6	9.2±0.5	700 ^{+50.0} _{-0.0}
19 inch	BIG190D03U-01	16:10	413	259	455	301	451.6	297.6	9.2±0.5	700 ^{+50.0} _{-0.0}
19.5 inch	BIG195D03U-01	16:9	434	245	476	287	472.6	283.6	9.2±0.5	700 ^{+50.0} _{-0.0}
20.1inch	BIG201D03U-01	4:3	434	326	476	368	472.6	364.6	9.2±0.5	700 ^{+50.0} _{-0.0}
21.5inch	BIG215D03U-01	16:9	479	271	521	313	517.6	309.6	9.2±0.5	700 ^{+50.0} _{-0.0}
22 inch	BIG220D03U-01	16:10	476	299	518	341	514.6	337.6	9.2±0.5	700 ^{+50.0} _{-0.0}
23 inch	BIG230D03U-01	16:9	511	288	553	330	549.6	326.6	9.2±0.5	700 ^{+50.0} _{-0.0}
23.6inch	BIG236D03U-01	16:9	524	296	566	338	562.6	334.6	9.2±0.5	700 ^{+50.0} _{-0.0}
24 inch	BIG249D03U-01	16:9	534	301	576	343	572.6	339.6	9.2±0.5	700 ^{+50.0} _{-0.0}
24 inch	BIG240D03U-01	16:10	521	326	563	368	559.6	364.6	9.2±0.5	700 ^{+50.0} _{-0.0}
26 inch	BIG260D03U-01	16:9	578	326	620	368	616.6	364.6	9.2±0.5	700 ^{+50.0} _{-0.0}
27 inch	BIG270D03U-01	16:9	600	339	642	381	638.6	377.6	9.2±0.5	700 ^{+50.0} _{-0.0}
32 inch	BIG320D03U-01	16:9	701	395	743	437	739.6	433.6	9.2±0.5	700 ^{+50.0} _{-0.0}
37 inch	BIG370D03U-01	16:9	822	463	864	505	860.6	501.6	9.2±0.5	700 ^{+50.0} _{-0.0}
40 inch	BIG400D03U-01	16:9	888	501	930	543	926.6	539.6	9.2±0.5	700 ^{+50.0} _{-0.0}
42 inch	BIG420D03U-01	16:9	933	526	975	568	971.6	564.6	9.2±0.5	700 ^{+50.0} _{-0.0}
46 inch	BIG460D03U-01	16:9	1021	575	1063	617	1059.6	613.6	9.2±0.5	700 ^{+50.0} _{-0.0}
47 inch	BIG470D03U-01	16:9	1042	587	1084	629	1080.6	625.6	9.2±0.5	700 ^{+50.0} _{-0.0}

5 Ordering information

BIGxxxD03U-01



Version 01 – V1.0
Interface Type U – USB type
Glass thickness 03 – 3mm tempered glass (normally)
Size
185 – 18.5", 16:9
190 – 19", 16:10
201 – 20.1", 4:3
215 – 21.5", 16:9
220 – 22", 16:10
230 – 23", 16:9
236 – 23.6", 16:9
240 – 24", 16:10
249 – 24", 16:9

260 – 26", 16:9
 270 – 27", 16:9
 320 – 32", 16:9
 370 – 37", 16:9
 400 – 40", 16:9
 420 – 42", 16:9
 460 – 46", 16:9
 470 – 47", 16:9

Other – Customer specified size

Part Number	Description	Version
BIG185D03U-01	18.5", 16:9, 3mm general tempered glass, USB	V1.0
BIG190D03U-01	19", 16:10, 3mm general tempered glass, USB	V1.0
BIG201D03U-01	20.1", 4:3, 3mm general tempered glass, USB	V1.0
BIG215D03U-01	21.5", 16:9, 3mm general tempered glass, USB	V1.0
BIG220D03U-01	22", 16:10, 3mm general tempered glass, USB	V1.0
BIG230D03U-01	23", 16:9, 3mm general tempered glass, USB	V1.0
BIG236D03U-01	23.6", 16:9, 3mm general tempered glass, USB	V1.0
BIG240D03U-01	24", 16:10, 3mm general tempered glass, USB	V1.0
BIG249D03U-01	24", 16:9, 3mm general tempered glass, USB	V1.0
BIG260D03U-01	26", 16:9, 3mm general tempered glass, USB	V1.0
BIG270D03U-01	27", 16:9, 3mm general tempered glass, USB	V1.0
BIG320D03U-01	32", 16:9, 3mm general tempered glass, USB	V1.0
BIG370D03U-01	37", 16:9, 3mm general tempered glass, USB	V1.0
BIG400D03U-01	40", 16:9, 3mm general tempered glass, USB	V1.0
BIG420D03U-01	42", 16:9, 3mm general tempered glass, USB	V1.0
BIG460D03U-01	46", 16:9, 3mm general tempered glass, USB	V1.0
BIG470D03U-01	47", 16:9, 3mm general tempered glass, USB	V1.0

1. 6 .Product Picture



FIGURE 4 Top view



FIGURE 5 Bottom view

2. 7. Packaging



3.

FIGURE 6 10 PCS packing

8.RoHS Compliance

BIG series touch screen is RoHS compliant.